



KYWAY™ TERMINAL

REVOLUTIONARY. GLOBAL,
MOBILE CONNECTIVITY.

Connectivity can be lacking when it is critically needed. Wherever you need it – in the middle of the ocean, at the remotest mining site, tracking freight on a train crossing multiple borders, or during a natural disaster when mobile response communication hubs are required – Kymeta makes it easy.

With KyWay mobile satellite terminals, there are infinite applications for land, sea, and air – from connected vehicles and trains to ships and construction vehicles, the possibilities are endless.

KĀLO™ satellite services are bundled with KyWay terminals and can be purchased in flexible, variable-use packages in familiar and easy-to-understand data plans. Together, KyWay terminals and KĀLO services make connectivity as available as a view of the sky.

KYWAY FEATURES

- Flat panel for invisible, seamless, low-profile installation options
- No moving parts for low maintenance and reliable connectivity
- One Button Cold Start SATCOM / SOTM Access
- Remote updates, delivering enhanced performance improvements and new features
- Tx/Rx from a single panel



KYMETA™
GOVERNMENT SOLUTIONS

KYWAY™ TERMINAL SPECIFICATIONS

PARAMETER	SPECIFICATION*
Outdoor unit (ODU) dimensions	L 32.4 in. x W 32.4 in x D 6.4 in. L 82.3 cm x W 82.3 cm x D 16.5 cm
Indoor unit (IDU) dimensions	2 units, each 1 U standard 19 in. rack
mTenna I/O dimensions	W 16.7 in. x D 8.1 in. x H 1.72 in. W 42.42 cm x D 20.57 cm x H 4.37 cm
iDirect X7 modem dimensions	W 17.5 in. x D 12.5 in. x H 1.72 in. W 44.5 cm x D 31.75 cm x H 4.45 cm
Terminal weight	64.5 lb. / 29.27 kg
Outdoor unit (ODU) weight	46.5 lb. / 21.1 kg
Indoor unit (IDU) weight	14.0 lb. / 6.35 kg
Ingress protection	ODU: IP66 to protect against weather and environmental conditions expected during operation and storage IDU: Rated for use indoors
ODU temperature	-25°C to +55°C (operational) -40°C to +75°C (storage)
IDU temperature	0°C to +50°C (operational) -40°C to +75°C (storage)
Input power	110 /240 VAC 50/60 Hz 500 watt peak, 300 watt typical (including 8 watt BUC)
IDU data interface	mTenna I/O: RJ45 Ethernet to modem, 18-pin interface cable Satellite modem: RJ45 Ethernet LAN Port, RJ45 Ethernet to mTenna I/O
Satellite modem	iDirect X7
RF specification	Ku-Band, 8 watt BUC (16w BUC config available)
ODU mounting interface	4 x M8 x 1.25 mounting threaded inserts (female thread), .375 in. (.95 cm) deep on 13.435 in. (34.1 cm) centers Custom mounting configurations available upon request

The KyWay terminal comprises two major components:

The weather-facing outdoor unit (ODU) – includes the antenna and transceiver elements. The key component of the KyWay terminal is the Kymeta mTenna^{u7} antenna subsystem module (ASM), which includes a combined transmit-and receive-capable aperture, control electronics assembly, mechanical enclosure system, and software.

The indoor unit (IDU) – includes the modem, power supplies, and interfaces.

ODU and IDU components interface with each other through three cables:

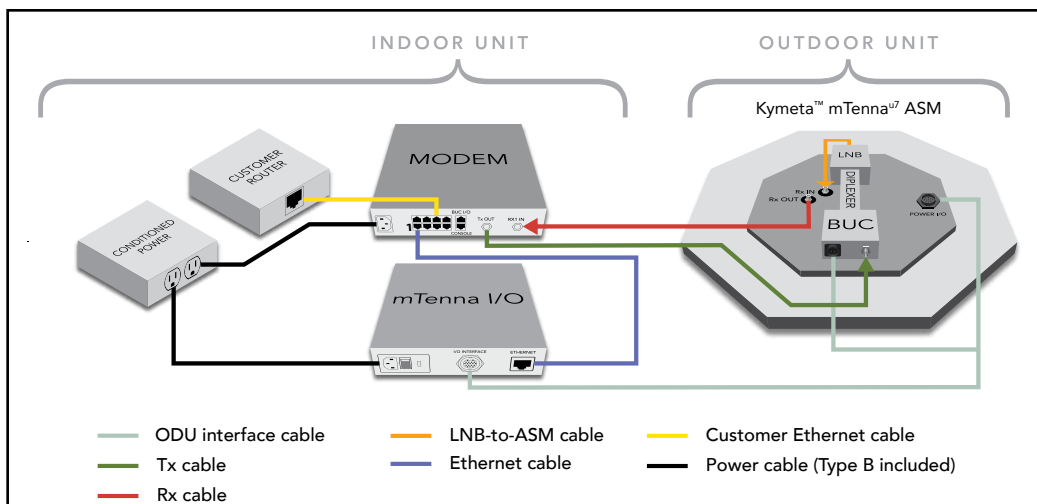
- ODU interface cable
- Transmit coaxial cable (Tx cable)
- Receive coaxial cable (Rx cable)

Optional components include:

- Accessory handle kit for the outdoor unit
- Accessory mounting kit for the outdoor unit
- Various case-specific cable lengths

* Specifications are subject to change.

KYWAY™ TERMINAL



12277 134th Ct NE
Redmond, WA 98052, USA
+1 (425) 896-3700
www.kymetago.com

twitter.com/KymetaCorp
facebook.com/kymetacorp
instagram.com/kymeta
linkedin.com/company/kymeta-corporation