



u8 | ANTENNA

MAKING MOBILE GLOBAL

The new Kymeta™ u8 antenna is ready for integrators to create custom mobile satellite terminals to meet their customers' unique needs for connectivity while in motion.

Leveraging our revolutionary software-defined, electronic beam steering technology, the u8 antenna has been re-engineered for full coverage of the Ku band, increased antenna performance, and extended environmental coverage. All this while maintaining low power operation for seamless integration into mobile platforms.



ELECTRONICALLY STEERED ANTENNA

SOFTWARE-DEFINED, RECONFIGURABLE, AND UPDATABLE, THE U8 SATELLITE ANTENNA OPERATES OVER THE COMPLETE KU BAND.



DESIGNED FOR MOBILITY

LOW PROFILE AND AERODYNAMIC, THE U8 ANTENNA CAN BE EASILY INTEGRATED INTO TERMINALS DESIGNED FOR MOBILE PLATFORMS.



LOW POWER

WITH NATIVE DC OPERATION, THE U8 ANTENNA REQUIRES VERY LOW POWER TO POINT AND TRACK WHILE ON THE MOVE.



FLEXIBLE AND MODULAR

WITH SUPPORT FOR MULTI-WAVEFORM OPENAMP COMPATIBLE MODEMS, THE U8 ANTENNA CAN BE INTEGRATED INTO MANY UNIQUE SYSTEM CONFIGURATIONS.



LEO READY

THE U8 ANTENNA ANTICIPATES THE ARRIVAL OF KU-BAND LEO CONSTELLATIONS. THE U8 ANTENNA CAN BE UPDATED TO SUPPORT LEO OPERATION WHEN AVAILABLE.



u8 Antenna Specifications*

ANTENNA

BAND
Ku

ANTENNA TYPE
Electronically scanned array

APERTURE
RX and TX combined
82 cm active diameter

POLARIZATION
Linear, software-defined
(circular with software upgrade)

RX

RX FREQUENCY RANGE
10.7 GHz to 12.75 GHz

G/T BROADSIDE
9 dB/K to 11.5 dB/K

**G/T @ 35° ELEVATION,
TYPICAL LAND MOBILE**
6 dB/K to 9 dB/K

**RX INSTANTANEOUS
BANDWIDTH**
250 MHz

TX

TX FREQUENCY RANGE
13.75 GHz to 14.5 GHz

TX GAIN BROADSIDE
33.5 dBi to 34.5 dBi
(14.0 GHz to 14.5 GHz)

**TX GAIN @ 35° ELEVATION,
TYPICAL LAND MOBILE**
31 dBi to 32.5 dBi
(14.0 GHz to 14.5 GHz)

**CROSS-POLARIZATION
ISOLATION**
≥25 dB

**TX INSTANTANEOUS
BANDWIDTH**
>62 MHz

TRACKING

SCAN ANGLES
Az 360°, El +15° to +90°

TRACKING RECEIVER TYPE
Integrated tracking system
DVB-S2, DVB-S2X

POWER

DC INPUT POWER
12 VDC to 36 VDC max

**POWER CONSUMPTION
(NO MODEM, RF CHAIN)**
35 W (typical), 450 W (peak)***

MECHANICAL

DIMENSIONS
L 89.5 cm × W 89.5 cm × H 12.3 cm
L 35.2 in. × W 35.2 in. × H 4.8 in.

WEIGHT
25 kg (55 lb.)

OPERATIONAL TEMPERATURE
-40 °C to +55 °C (ambient)
-40 °C to +70 °C (with solar load)

STORAGE TEMPERATURE
-40 °C to +85 °C

INGRESS PROTECTION
IP66

INTERFACES

NETWORK INTERFACE
Ethernet

RF CONNECTORS
N-type

WAVEGUIDE PORT
WR-75

COMPLIANCE

CERTIFICATIONS
CE, FCC, WEEE, RoHS

AVAILABLE CONFIGURATIONS

u8 ANTENNA **

- Flat-panel, full-duplex antenna
- Integrated radome
- Integrated antenna control unit (ACU)
- Integrated antenna power supply
- Satellite auto-acquisition and tracking capability
- All outdoor, robust IP66 rated enclosure

u8 OUTDOOR UNIT (ODU) **

- u8 antenna
- RF chain with low-profile BUC
- Shroud with integrated air circulation solution

AVAILABLE COMPONENTS

- 20 W low-profile BUC (17 W linear power)
- Diplexer
- LNB
- Cables

AVAILABLE ACCESSORIES

- Shroud
- Vehicle mount kit
- Vehicle power kit
- AC-to-DC power kit

AVAILABLE SOFTWARE-ENABLED FEATURES

- Manual positioning (GPS denied) mode
- Full privacy mode
- External GPS support

*Specifications as of 30 September 2020. Subject to change.

**For u7-to-u8 upgrades, contact sales@kymetacorp.com.

*** Software restriction on peak draw available. May affect antenna performance at low temperature.

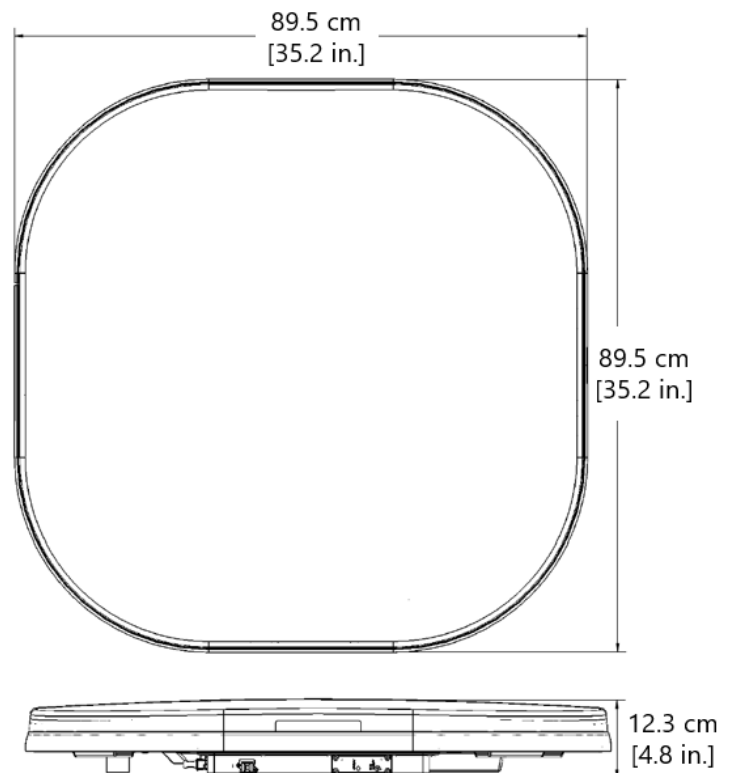
Note: Compliance with the 700-00107-000 Kymeta u8 products integrator guide and 700-00121-000 Kymeta u8 products installation and user manual is required to maintain warranty.

MODEMS

iDirect Evolution and Velocity platform with X7, 950mp, and iQ 200 routers
Viasat ArcLight platform with CBM-400 modem

Automatic acquisition possible with systems supporting OpenAMIP v.1.12:

- Newtec Dialog platform with MDM3310 and MDM2510 modems
- Gilat SkyEdge II-c platform with Capricorn-4 modem
- UHP networks with UHP-100 and UHP-200 modems



For more information, contact Kymeta at sales@kymetacorp.com.

12277 134th Ct. NE, Redmond, WA 98052 | Phone: 425.896.3700 | www.kymetacorp.com

© 2020 Kymeta Corporation. KYMETA and KYMETA CONNECT are trademarks of Kymeta Corporation, with registrations or pending applications for these marks in the U.S. and other countries. All other trademarks are the property of their respective owners.

KYMETA™

700-00071-000 revE