



Kymeta™ u8 Products Accessories Guide

Document number: 700-00140-000 rev D

28 May 2021

Table of contents

1	About this document	1
2	Mounts	1
2.1	u8 vehicle mount kit	1
2.2	u8 universal mounting plate	2
2.3	u8 terminal MRZR mount	3
3	Power kits and cables	3
3.1	u8 vehicle power kit	3
3.2	u8 AC-to-DC power kit	4
3.3	u8 ODU RX, TX, and Ethernet cable kit	4
4	u8 GO case	5
5	Nasiol NL272 nano ceramic coating application kit	5
6	Customer support	6
7	Revision history	6
8	Copyright and trademark information	6

1 About this document

This document covers Kymeta™ u8 accessories available for the u8 products. Refer to the *700-00107-000 Kymeta u8 products integrator guide* for additional technical details and drawings.

2 Mounts

2.1 u8 vehicle mount kit

PRODUCT CODE	PRODUCT DESCRIPTION
U8ACC-00003-0	ACCESSORY, U8 VEHICLE MOUNT

Use this vehicle mount kit to attach the u8 terminal or u8 ODU to a vehicle roof rack. This mount requires that the roof rack crossbars are less than 7.7 cm wide and the closest points on the forward/aft crossbars are 92.8 cm apart.

What's in the kit

- » Mounting rails
- » Hardware to secure the rails to the terminal or ODU
- » Clamps / hardware to secure the rails to the vehicle roof rack
- » Padlock
- » Installation instructions

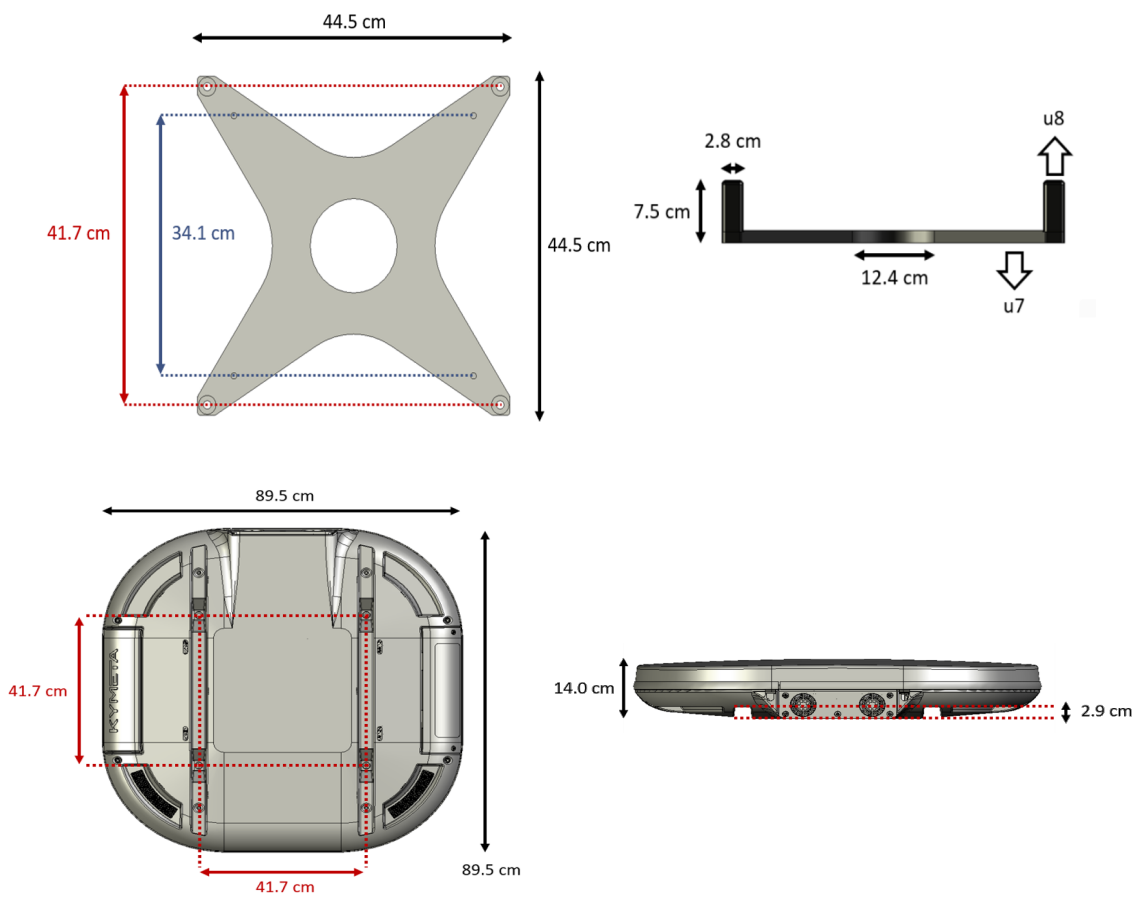


Refer to *700-00141-000 Kymeta u8 vehicle mount kit installation guide* for details.

2.2 u8 universal mounting plate

PRODUCT CODE	PRODUCT DESCRIPTION
U8ACC-00004-0	ACCESSORY, UNIVERSAL MOUNTING PLATE

This universal mounting plate can be used to modify an existing u7 mounting structure to accommodate a u8 terminal or u8 ODU or can be used for any static / stationary installation. The following images detail the universal mounting plate and the u8 terminal and u8 ODU mounting hole locations. The primary mounting points on the ODU and terminal have 15 mm of M10 x 1.25 mm threading with a maximum hole depth of 20 mm.



What's in the kit

- » Mounting plate
- » Stand-off posts
- » Fasteners
- » Installation instructions

Refer to *700-00143-000 Universal mounting plate installation instructions* for details.

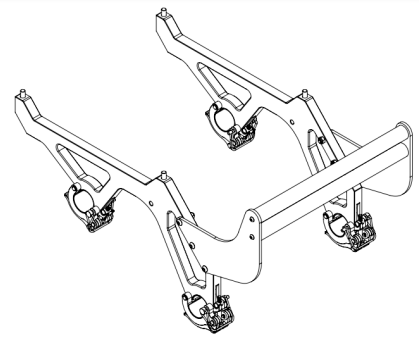
2.3 u8 terminal MRZR mount

The Kymeta MRZR mount is designed specifically to integrate with the Polaris MRZR Tactical off-road vehicle. The mount allows toolless installation of any u8 terminal or ODU to the factory roll cage of the MRZR.

PRODUCT CODE	PRODUCT DESCRIPTION
U8ACC-00023-0	ACCESSORY, U8 MRZR MOUNT

What's in the kit

- » Hardware to secure the rails to the MRZR
- » Clamps to secure the rails to the MRZR roll cage
- » Integrated brush bar
- » Installation instructions



3 Power kits and cables

3.1 u8 vehicle power kit

PRODUCT CODE	PRODUCT DESCRIPTION
U8ACC-00001-0	ACCESSORY, U8 VEHICLE POWER, 25' (7.5 M) CABLES

Use this vehicle power kit to power the u8 terminal or u8 ODU from a vehicle battery. The vehicle power kit is rated to IP66.

What's in the kit

- » 25' of cable
- » Connectors, fuse, and circuit breaker
- » Abrasion resistant wire shielding
- » Installation instructions

Refer to *700-00111-000 Kymeta u8 terminal vehicle power kit installation instructions* for details.

3.2 u8 AC-to-DC power kit

PRODUCT CODE	PRODUCT DESCRIPTION
U8ACC-00044-0	ACCESSORY, AC-TO-DC POWER, 20' (6 M) AC, 8' DC, NEMA & CE

Use this AC-to-DC power kit to power the u8 terminal or u8 ODU from a 120/240 VAC wall outlet. The u8 terminal and u8 ODU are designed with a DC power system that accepts 12 VDC to 24 VDC with a maximum power draw for the system to be 600 W.

What's in the kit

- » (1) 600 W, 24 VDC AC-to-DC power supply
- » (1) W38D terminal input power cable, 244 cm (96 in.)
- » (1) W73 AC input cable, 45.7 cm (18 in.)
- » (1) North America (NEMA 5-15) to IEC C13 plug
- » (1) EU (CEE 7/7) to IEC C13 plug
- » (8) M6 shroud fasteners



W73 IEC 320 C14 interface

Refer to 700-00187-000 Kymeta AC-to-DC converter kit with interchangeable AC power plugs installation instructions for details.

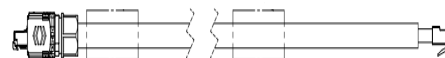
3.3 u8 ODU RX, TX, and Ethernet cable kit

PRODUCT CODE	PRODUCT DESCRIPTION
U8ACC-00013-0	ACCESSORY, RX, TX, DATA FOR ODU, 25' (7.5 M) CABLES

Use this IP66 rated cable kit to attach your Kymeta u8 ODU to an external modem.

What's in the kit

- » (2) LMR-240 N-Male to N-Male 7.5 m (25 ft.) cables
- » (1) RJ45 to RJ45 7.5 m (25 ft.) cable
- » N-to-F adapters
- » Installation instructions



Refer to 700-00108-000 Kymeta u8 products cable extension kit installation instructions for details.

4 u8 GO case

Kymeta™ u8 GO case for the u8 terminal and ODU.

PRODUCT CODE	PRODUCT DESCRIPTION
U8ACC-00007-0	ACCESSORY, U8 GO CASE

What's in the kit

- » 25° tilt mechanism
- » Integrated vehicle mount
- » AC-to-DC power
- » Transportation hardshell case
- » *700-00119-000 Kymeta™ u8 GO quick start guide*

Refer to *700-00131-000 Kymeta u8 GO case installation instructions* for details.

5 Nasiol NL272 nano ceramic coating application kit

Kymeta™ u8 hydrophobic coating reapplication kit.

PRODUCT CODE	PRODUCT DESCRIPTION
U8ACC-00045-0	KIT, RADOME, HYDROPHOBIC COATING REAPPLICATION - NASIOL

The Kymeta u8 product comes with a hydrophobic coating applied to the radome. For best performance, Kymeta recommends reapplying the coating every 2 to 5 years (depending on your specific use) with Nasiol NL272 nano ceramic coating.

What's in the kit

- » (3) Applicator sponge
- » (1) Bottle of NL272 nano ceramic solution
- » (1) Short fiber microfiber cloth (white)
- » (1) Long fiber microfiber cloth (creamy white)
- » (1) Pair of nitrile gloves
- » (1) Curing enclosure

Refer to *700-00186-000 Nasiol NL272 nano ceramic coating application kit instructions* for details.

6 Customer support

Submit your questions and comments to product@kymetacorp.com.

7 Revision history

Revision	Change
A	Initial release.
B	Updated for beta release.
C	Added u8 hydrophobic coating reapplication. Added Kymeta u8 MRZR mount details.
D	Updated NL272 coating kit and u8 AC-to-DC power kit sections.

8 Copyright and trademark information

©2021 Kymeta Corporation. All Rights Reserved. KYMETA, KYMETA CONNECT, MAKING MOBILE GLOBAL, and CONNECTED BY KYMETA are trademarks of Kymeta Corporation, with registrations or pending applications in the U.S. and/or other countries. All other trademarks are the property of their respective owners.